



When you have landed
keep flying with
LAKER



Build this
souvenir model of a
LAKER AIRWAYS
A300
to fly or display

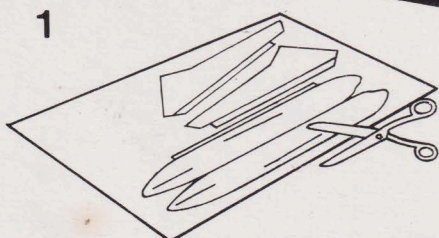


LAKER

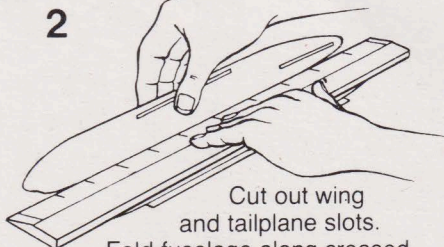
HERE'S HOW to build your own exciting model of the famous

LAKER A300

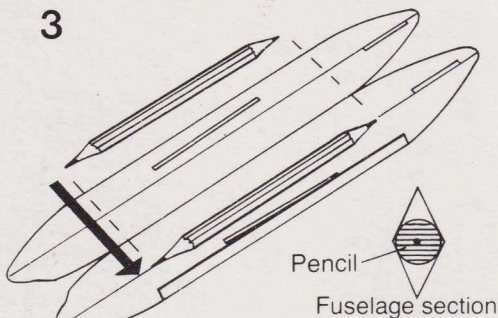
USE Balsa cement
OR LIQUID GLUE TO
MAKE YOUR MODEL.



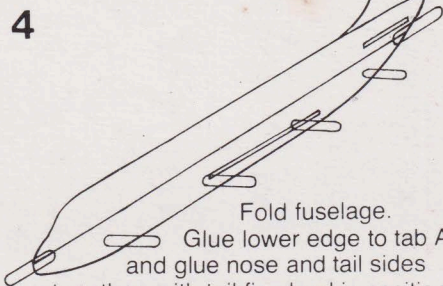
1
Cut out all parts carefully with a pair of scissors or a modelling knife.



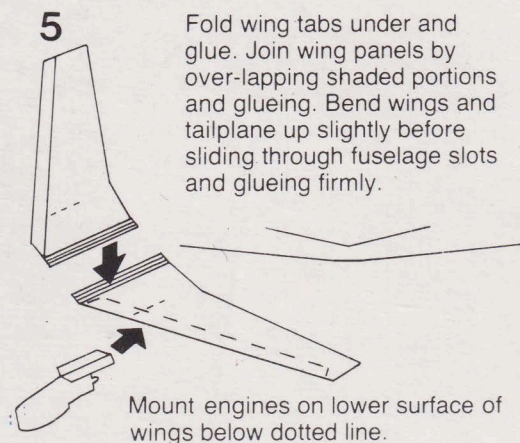
2
Cut out wing and tailplane slots.
Fold fuselage along creased lines into a diamond section, then open out again.
Glue tail fin halves together.
Glue engine halves together, with tabs folded outwards (DO NOT GLUE TABS YET).



3
Glue pencil (approx. 4" long) to fuselage centre fold. (Check pencil clears wing slots).

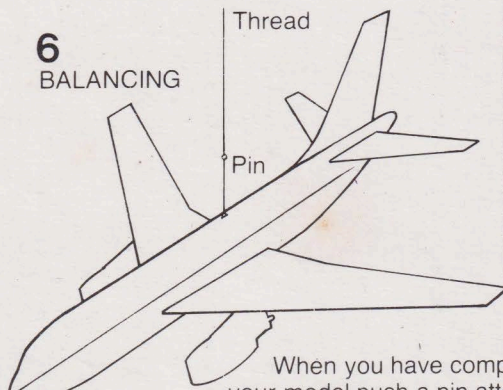


4
Fold fuselage.
Glue lower edge to tab A and glue nose and tail sides together, with tail fin glued in position between fuselage halves.
Hold with paper clips or pins until set.



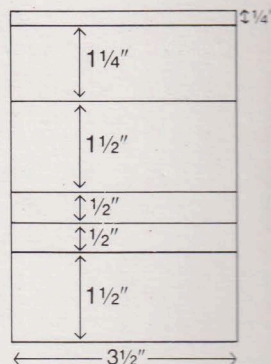
5
Fold wing tabs under and glue. Join wing panels by overlapping shaded portions and glueing. Bend wings and tailplane up slightly before sliding through fuselage slots and glueing firmly.

Mount engines on lower surface of wings below dotted line.



6
BALANCING
When you have completed your model push a pin attached to a piece of thread into the point marked on the top of the fuselage. Your model should hang level. You may need to add a little plasticine to nose or tail to obtain correct balance.

DISPLAY STAND
(Make from a postcard or sheet of stiff white card).



Fold as shown

Glue tab

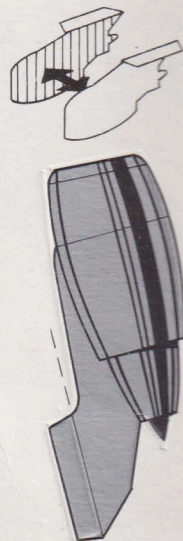
Attach name plate to front of stand.

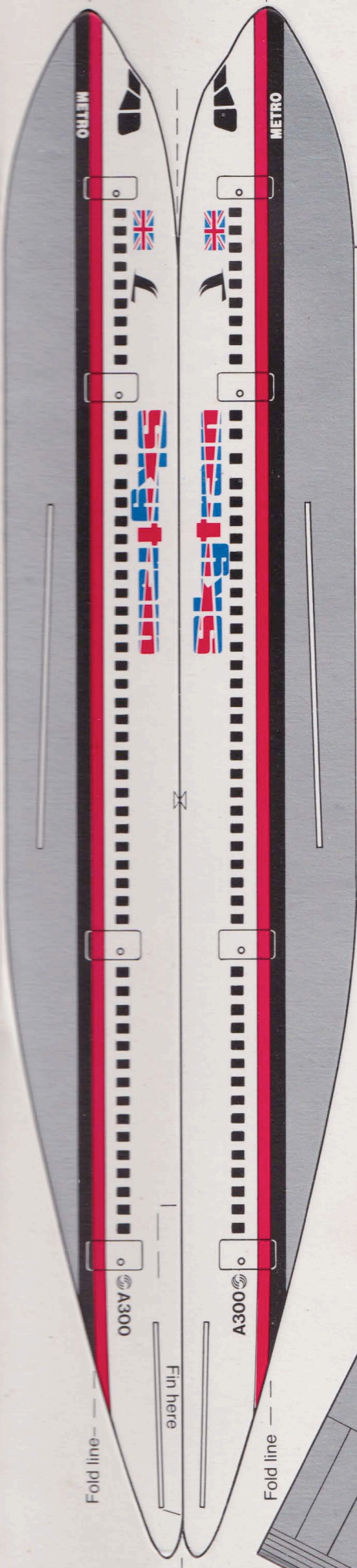


FLYING

Pierce a small hole through the red dot on the port wing. Attach about 10ft. of fine thread. Hold the line about 2ft. from the model, with the remainder of the line in your other hand. Swing the model around your head. When it starts flying let the line out slowly to its full length. If you bend the REAR EDGES of the tailplane UP SLIGHTLY your A300 will climb. With practice (on a smooth surface) you can land your model almost as smoothly as the real Laker Airways A300 touches down!

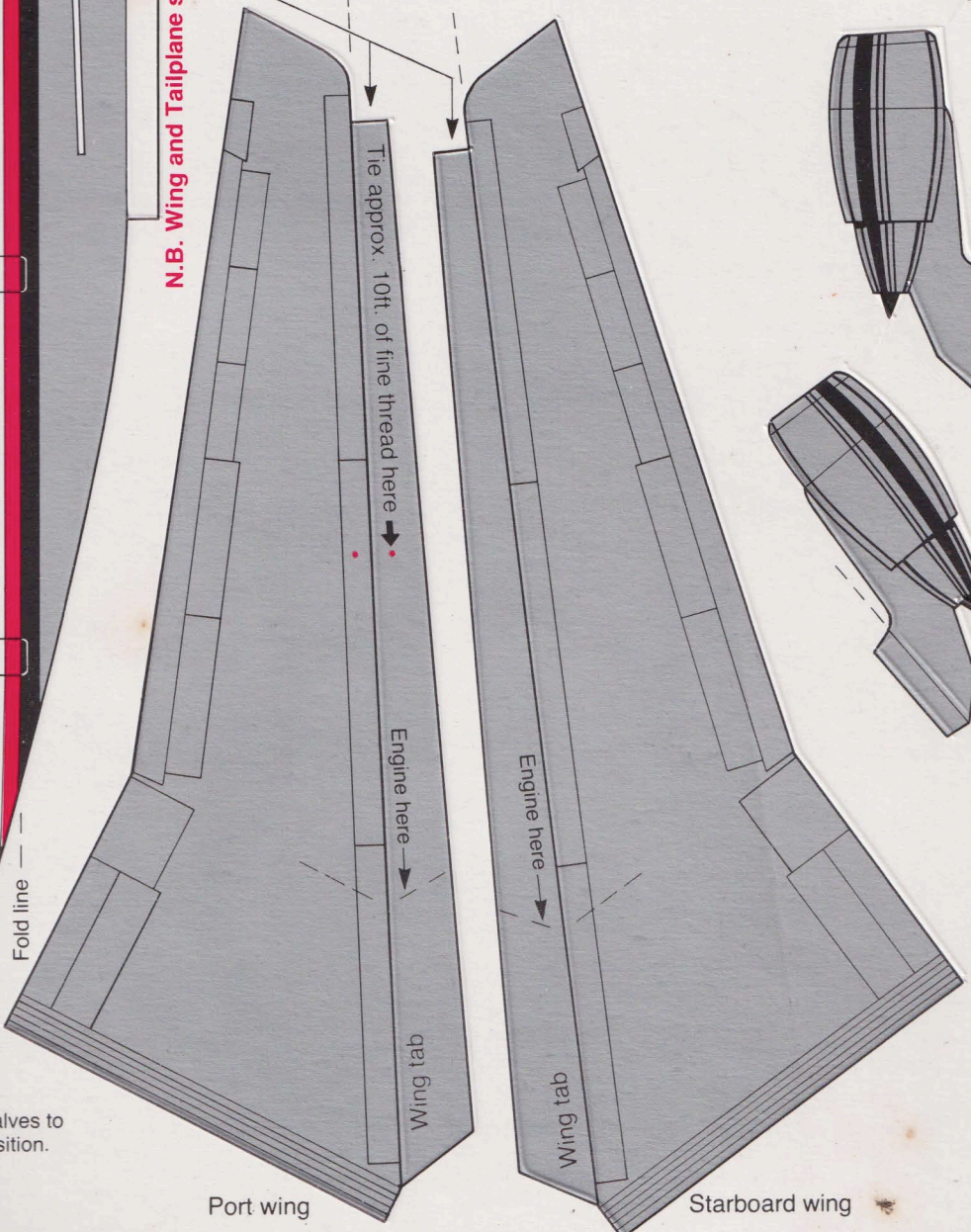
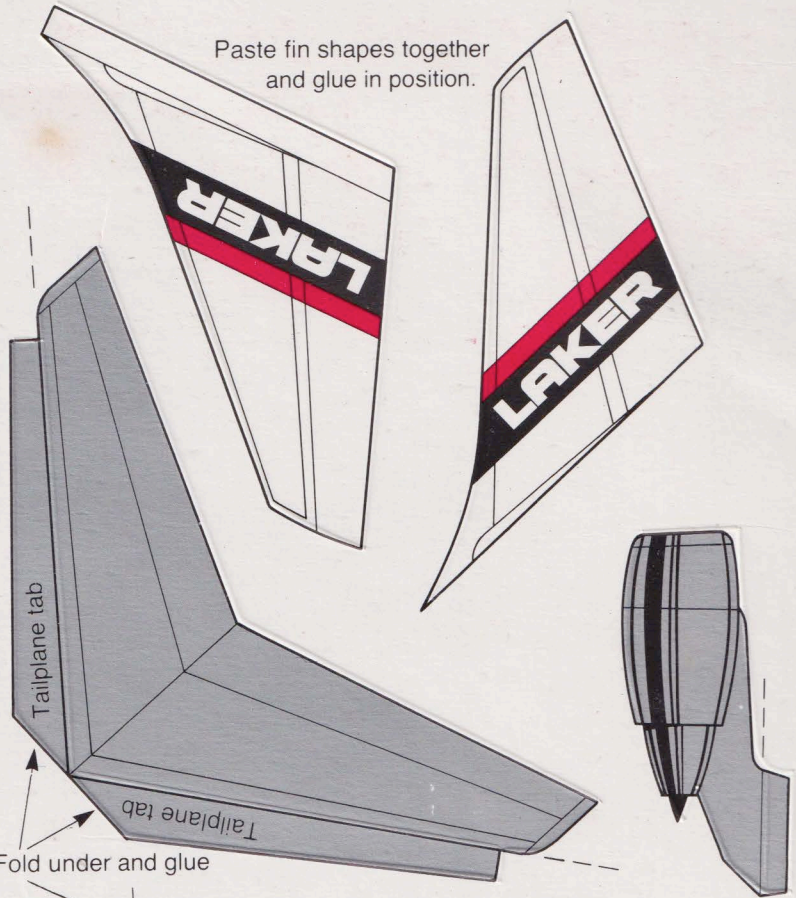
You can fly your model A300 in a large room, youth hut, school hall, gym etc. — or outdoors on calm days. It also makes A FINE DISPLAY MODEL for your room or den.





Tab A

N.B. Wing and Tailplane slots are best cut out with a modelling knife using a straight edge.



Port wing

Starboard wing

Designed by Ray Malmström



LAKER